

A

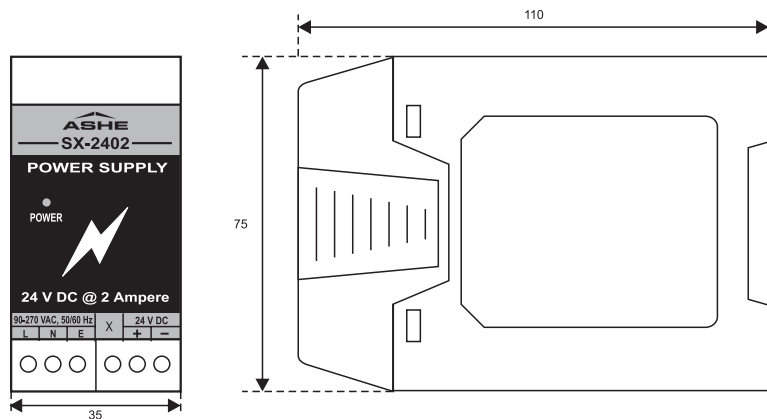
B

C

D

E

F

**DIMENSIONAL DIAGRAM****TERMINAL DIAGRAM**

1	2	3	4	5	6
L	N	E	X	+	-
AC POWER SUPPLY			NO CONNECTION	24 VDC OUTPUT	

**TECHNICAL SPECIFICATIONS**

<b>Model</b>	ASHE SX-2402 (24 VDC, 2 Ampere). ASHE SX-2405 (24 VDC, 5 Ampere).
<b>Type</b>	Switch-mode DC Regulated Power Supply.
<b>Input Voltage (AC)</b>	90 to 270 VAC. 50/60 Hz
<b>Output Voltage</b>	24 V DC regulated.
<b>Indication</b>	Power ON LED.
<b>Load Current</b>	2.4 Ampere (continuous).
<b>Peak Load Current</b>	Up to 40% of rated load current.
<b>Load Regulation</b>	±1%.
<b>Line Regulation</b>	±1%.
<b>Isolation Type</b>	Galvanic (upto 3 kV).
<b>Ripple &amp; Noise</b>	< 1%.
<b>Short Circuit Protection</b>	Electronic CVCC control.
<b>Dimensions</b>	75 x 35 x 110 mm [H x W x D].
<b>Execution</b>	DIN-Rail / Wall mounting.
<b>Enclosure</b>	Industrial Grade ABS
<b>Weight</b>	Approx. 0.3 Kg.
<b>Operating Temperature</b>	0 to 55°C.

**TERMINAL DESCRIPTION**

TERMINAL NO.	NOTATION	DETAILS
1	L	90 to 270 VAC, 50/60 Hz AC Power Supply
2	N	
3	E	
4	X	No Connection
5	+	24 VDC Output
6	-	

NOTES: All Dimensions In mm

Customer

TITLE

TERMINAL AND DIMENSIONAL DRAWING

PO. No.

PRODUCT

SWITCH MODE DC POWER SUPPLY

Quantity

MODEL

ASHE SX-2402/2405

Tag Nos.

DATE

19-08-21

DOC NO. :

ACPL/GA/SX-2402/2405

SHEET :

1 of 1